



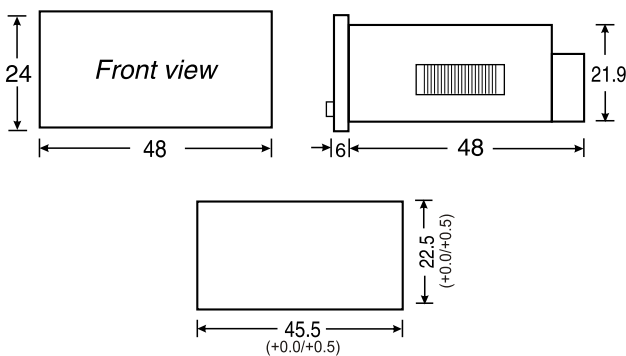
FEATURES :

- 8 digit compact LCD counter
- Accepts input
 DC Input model: Potential free Input/3-30 VDC
 AC Input model: 24-260 VAC
- Battery Life: 1) Approx. 5 years (14Hz)
 2) Approx. 3 years (100Hz)
- Reset input: Potential free input
 Front reset key
- Input speed selection: 1) 14Hz
 2) 100Hz (± 10%)

PRODUCT CODE

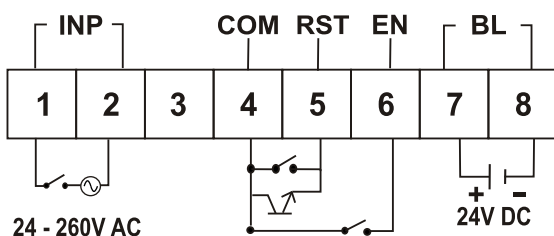
| MODEL | Supply Voltage | Back Light |
|-----------|----------------|------------|
| LXC900-DC | 3-30 VDC | × |
| LXC900-AC | 24-260 VAC | × |
| LXC910-DC | 3-30 VDC | ✓ |
| LXC910-AC | 24-260 VAC | ✓ |

DIMENSIONS (All dimensions in mm)



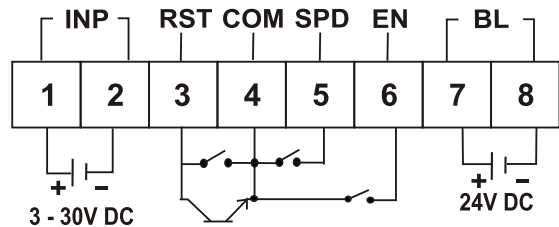
TERMINAL CONNECTIONS

AC Version



TERMINAL CONNECTIONS

DC Version



SPECIFICATIONS

Display: LCD, 8 digit, ht. 8.0mm

Battery Life: 1) Approx. 5 years (14Hz)
 2) Approx. 3 years (100Hz)

Signal Input :

DC Input model: Potential free Input/3-30 VDC
 AC Input model: 24-260 VAC

Counting Direction: Up

Speed Selection :

- 1) 14Hz (Short terminal 4 & 5)
- 2) 100Hz (± 10%) (Removing shorting 4 & 5)

Reset input:

- 1) Potential free input (shorting terminal 3 & 4)
- 2) Front reset key (after shorting terminal 4 & 6)

Housing: Flame retardant plastic

Mounting: Panel mounting

Operating Temperature: 0°C to 50°C

Storage: -20°C to 75°C

Humidity: 95% RH

Weight: approx. 60 gms